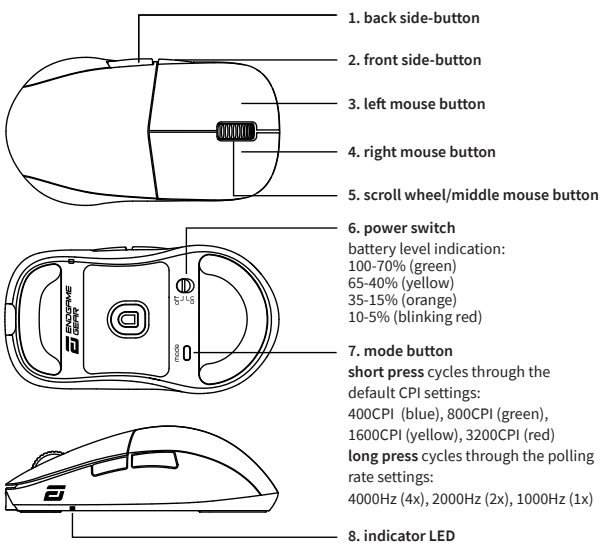
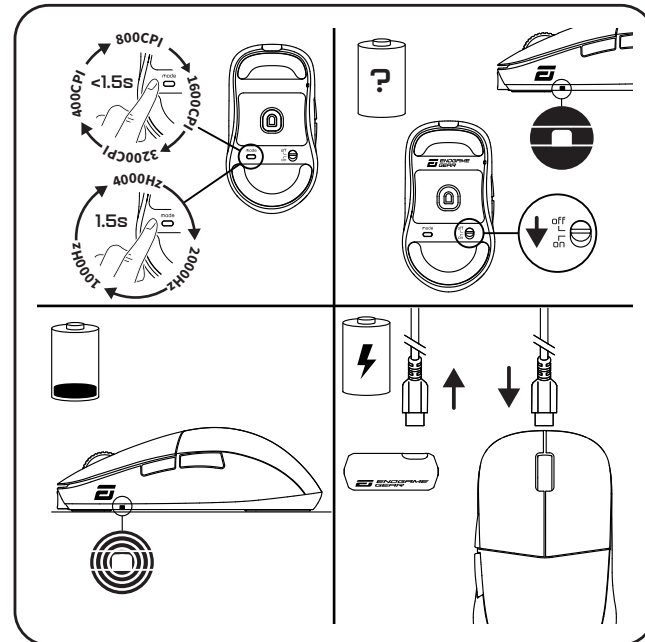
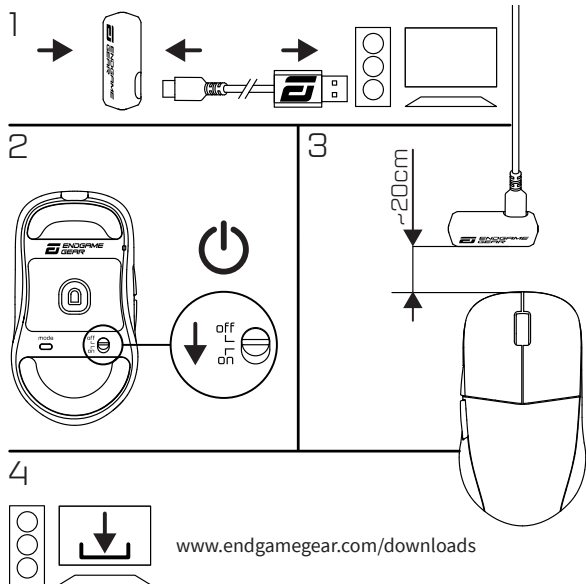
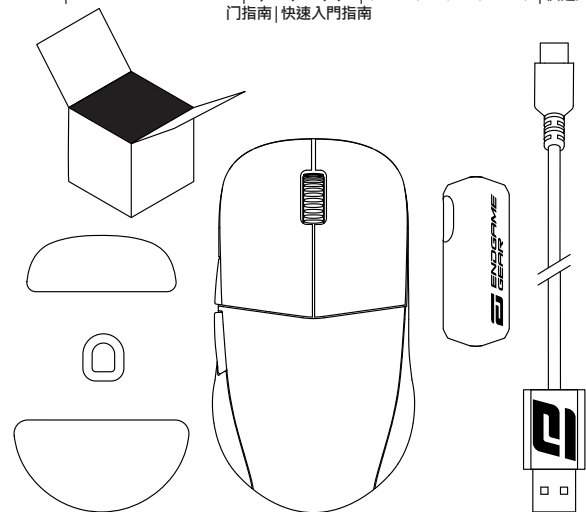


# ENDGAME GEAR / XM2W 4k v2

QUICK START GUIDE | SCHNELLSTART-ANLEITUNG | GUIDE DE DÉMARRAGE RAPIDE | GUIA DE INICIO RÁPIDO | 퀵 스타트 가이드 | クイックスタートガイド | 快速入門指南 | 快速入門指南



1. back side-button

2. front side-button

3. left mouse button

4. right mouse button

5. scroll wheel/middle mouse button

6. power switch

battery level indication:  
100-70% (green)  
65-40% (yellow)  
35-15% (orange)  
10-5% (blinking red)

7. mode button

short press cycles through the default CPI settings:  
400CPI (blue), 800CPI (green),  
1600CPI (yellow), 3200CPI (red)  
long press cycles through the polling rate settings:  
4000Hz (4x), 2000Hz (2x), 1000Hz (1x)

8. indicator LED

## DEUTSCH

- hintere Seitentaste
- vordere Seitentaste
- linke Maustaste
- rechte Maustaste
- Scrollrad/mittlere Maustaste
- Ein/Ausschalter
- Modustaste
- Anzeige-LED

## Française

- bouton latéral arrière
- bouton latéral avant
- bouton gauche de la souris
- bouton droit de la souris
- molette de défilement/bouton central de la souris
- interrupteur
- bouton de mode
- LED d'indication

## ESPAÑOL

- botón lateral trasero
- botón lateral delantero
- botón izquierdo del ratón
- botón derecho del ratón
- rueda de desplazamiento/botón central del ratón
- interruptor de alimentación
- botón de modo
- LED indicador

## PORTUGUÊS

- botão lateral de trás
- botão lateral frontal
- botão esquerdo do rato
- botão direito do rato
- roda de rolagem/botão do rato médio
- interruptor de energia
- botão de modo
- LED indicador

## 한국어

- 뒷면 사이트 버튼
- 전면 사이트 버튼
- 마우스 좌측 버튼
- 마우스 우측 버튼
- 스크롤 휠/마우스 중간 버튼
- 전원 스위치
- 모드 버튼
- 표시등 LED

## 日本語

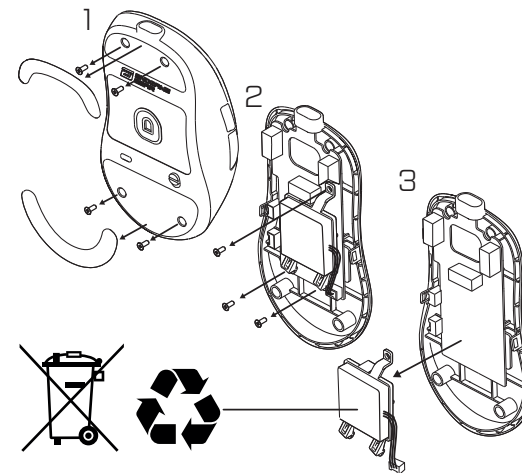
- バックサイドボタン
- フロントサイドボタン
- 左マウスボタン
- 右マウスボタン
- スクロールホイール/センタークリックボタン
- 電源スイッチ
- モードボタン
- インジケターLED

## 中文简体

- 鼠标后侧键
- 鼠标前侧键
- 鼠标左键
- 鼠标右键
- 中置滚轮按键
- 鼠标电源开关
- CPI 切换键
- LED 指示灯

## 中文繁體

- 滑鼠後側鍵
- 滑鼠前側鍵
- 滑鼠左鍵
- 滑鼠右鍵
- 中置滾輪按鈕
- 滑鼠電源開關
- CPI 切換鍵
- LED 指示燈



This device complies with part 15 of the FCC Rules. Operation is subject to the following two conditions: (1) This device may not cause harmful interference, and (2) This device must accept any interference received, including interference that may cause undesired operation.  
EU Directive 2014/53/EU:  
XM2w 4k: Proprietary 2.4GHz (2400 - 2483.5MHz): 2402 - 2480MHz; <=10dBm  
HS Dongle: Proprietary 2.4GHz (2400 - 2483.5MHz): 2402 - 2480MHz; <=8dBm