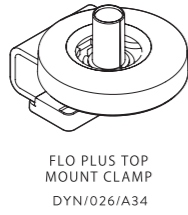
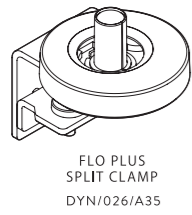


FIT DESK FIXING TO WORKSURFACE

1

Follow separate worksurface fixing installation instructions

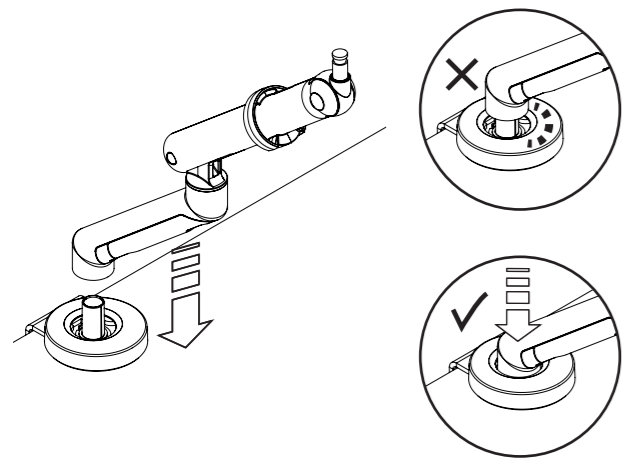


NOTE

Use M4 Allen key for desk fixings which is supplied with Monitor Arm

FIT MONITOR ARM TO CLAMP

2

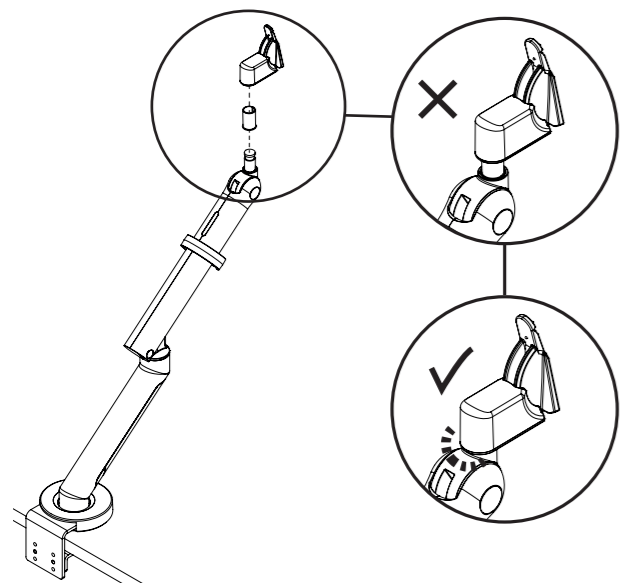


IMPORTANT

Ensure that arm is pushed fully down onto clamp

FIT THE SINGLE HEAD

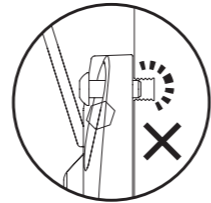
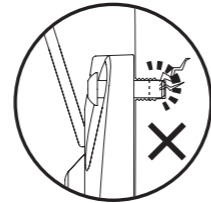
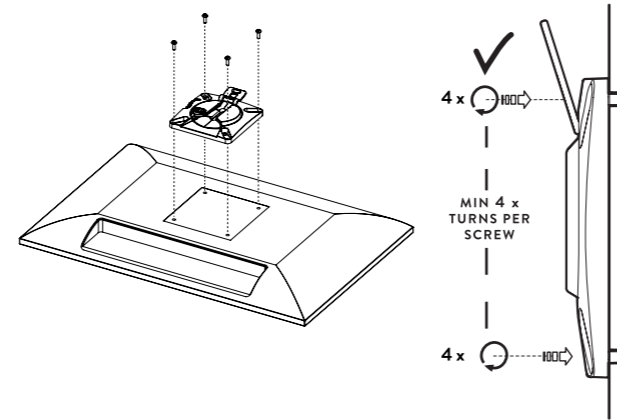
3



ATTACH MONITOR MOUNT PLATE TO MONITOR

4

Use screws supplied
Be sure to select correct length



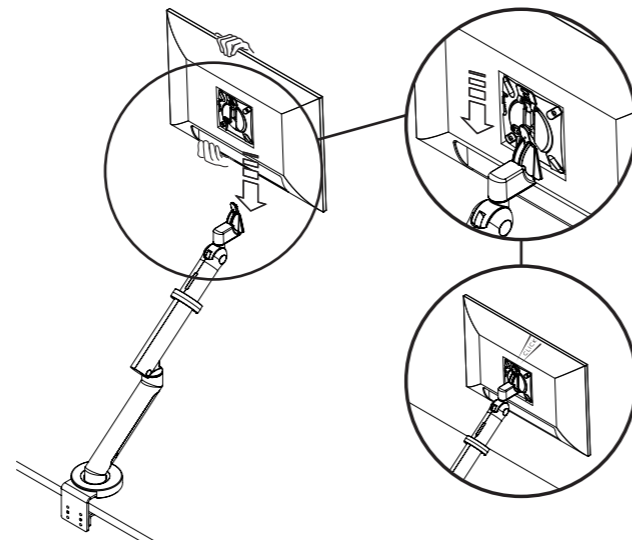
IMPORTANT

It is the responsibility of the installer to ensure all mounting screws are properly engaged with a minimum of 4 x 360° turns into the display. Under or over insertion may cause damage to the equipment or injury to personnel.



MOUNT MONITOR TO ARM

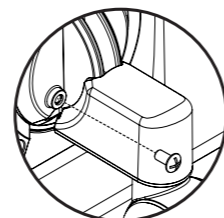
5



OPTIONAL SECURITY SCREW

6

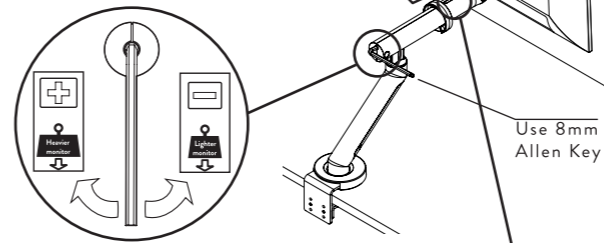
Security screw locks monitor to arm



ADJUST ARM TO SUIT WEIGHT OF MONITORS

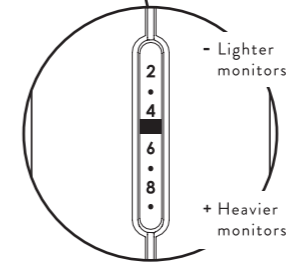
7

7A Turn adjuster screw until monitor 'floats' in all height positions



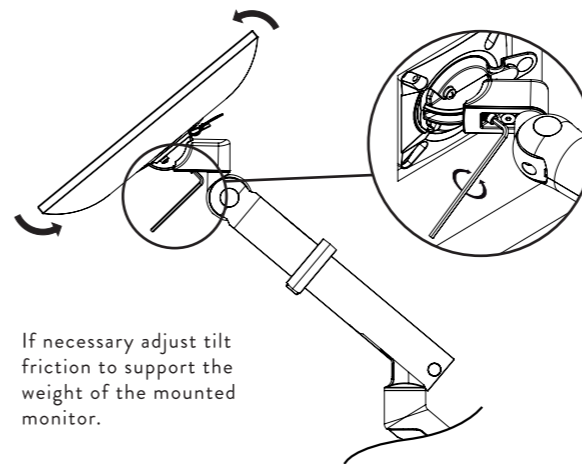
7B The arm setting indicator allows for quick installation of the monitor

You can quickly 'dial in' to the same setting, then if necessary, fine tune the adjustment to balance the monitor



ADJUST MONITOR TILT FRICTION IF REQUIRED

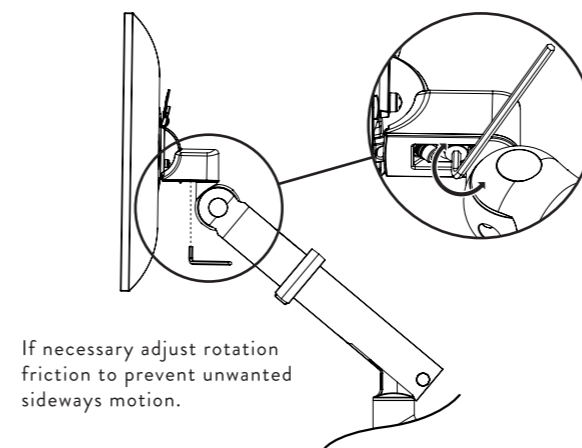
8



If necessary adjust tilt friction to support the weight of the mounted monitor.

ADJUST HEAD ROTATION FRICTION IF REQUIRED

9



If necessary adjust rotation friction to prevent unwanted sideways motion.

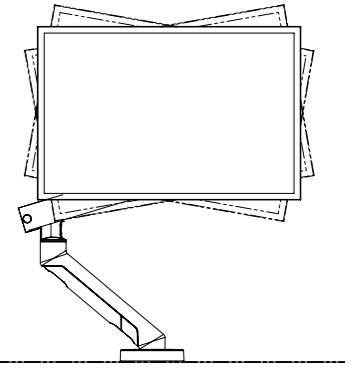
OPTIONAL VESA FRICTION ADJUSTMENT

10

IMPORTANT

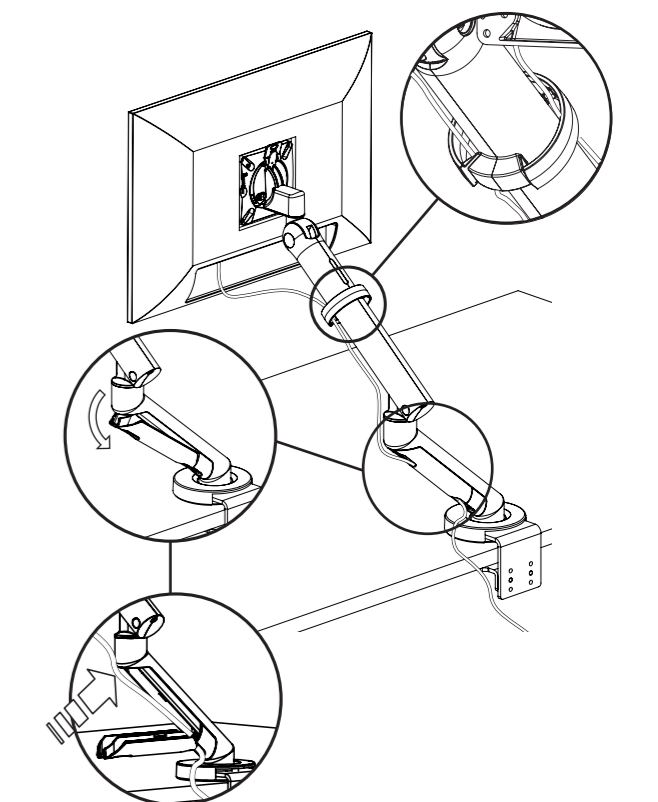
Portrait-to-landscape monitor rotation is factory-set for optimum performance, however if the monitor droops sideways, rotation friction can be adjusted.

See additional instructions for VESA friction adjustment.



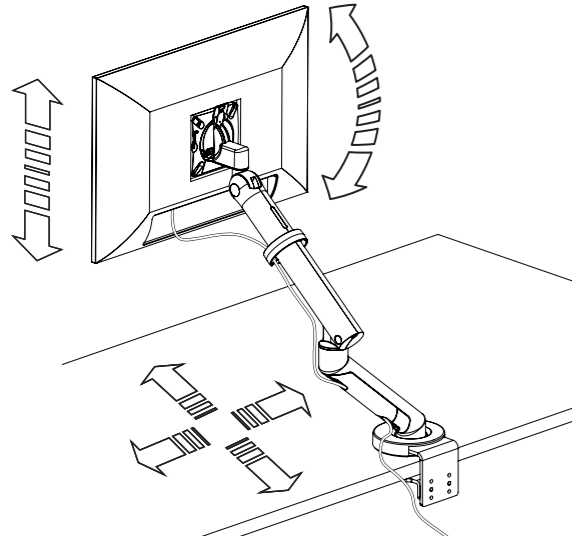
INSTALL CABLES

11

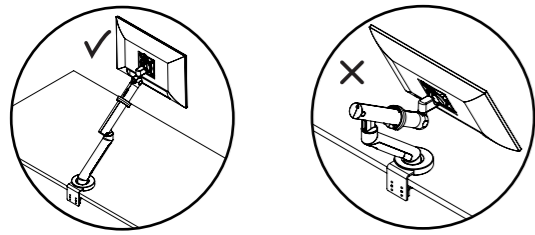


USEFUL TIP

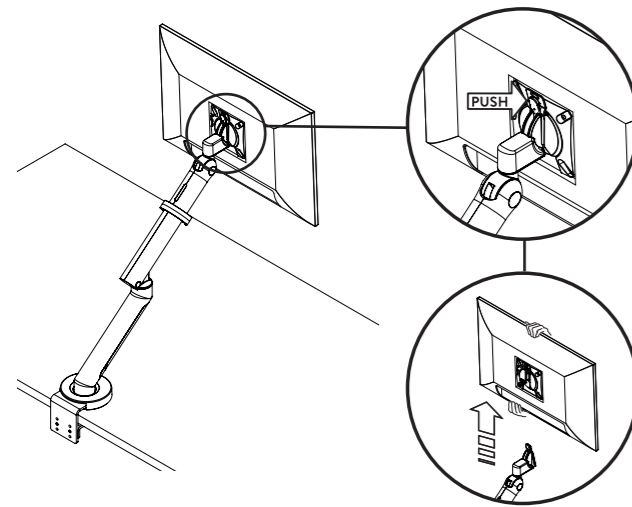
Ensure you have allowed enough free cable for screen rotation



TO REMOVE MONITOR



IMPORTANT
Raise arm to uppermost position before removing monitor otherwise it may spring up when unloaded.



DYN-SHM-002-INST-A-NOV 2019

Please consider leaving these instructions with the product if further installation may be required by others

WARNING

- Ensure desk/work surface/wall/partition is suitable to take the weight of the arm/s and monitors.
- Do not use this product for any purpose other than that for which it was designed.
- Supported weight must not exceed 15kg (33lb) per arm.
- Hold the monitor tightly when making adjustments.
- Care should be taken to avoid trapping fingers.
- Do not dismantle or remodel the arms.
- Do not attach the monitor before assembling arm.
- Some monitors have recesses and may require spacers or a 75mm VESA plate.
- The screws supplied for the installation of the arm are supplied in good faith and with the intention that they will be used with the correct monitor, namely a monitor with VESA mounting holes. Please therefore check before attempting installation that you have the appropriate equipment on which to carry out the installation. CBS cannot be held liable for any damage caused to your equipment resulting from a failure to make this check. Please also carefully read the installation instructions to ensure correct fixing.

MAINTENANCE AND INSPECTION

- Ensure all screws are tightened and occasionally adjust if needed.
- Clean with a damp cloth, NO solvent.

DISCLAIMER

As part of Colebrook Bosson Saunders ongoing product improvement programme, the design of products may change without prior notice and details may vary from those illustrated.

WARNUNG

- Sicherstellen, dass Schreibtisch / Arbeitsfläche / Wand / Trennwand das Gewicht von Arm(en) und Monitore/n tragen kann
- Dieses Produkt nur für den Zweck verwenden, für den es konstruiert wurde
- Maximale Belastung darf 15kg pro Arm nicht überschreiten
- Den Monitor beim Einstellen gut festhalten
- Vorsicht: Nicht die Finger einklammern
- Die Arm nicht auseinander nehmen oder umbauen
- Den Monitor erst dann befestigen, wenn die Arm montiert ist
- Einige Monitore haben Aussparungen und erfordern möglicherweise Abstandhalter oder eine 75mm-VESA-Platte
- Die für die Montage des Armes gelieferte Schrauben sollen nur mit dem richtigen Bildschirm (das heißt mit der richtigen VESA Befestigungslöchern) verwendet werden. Bevor Sie die Montage beginnen, überprüfen Sie, bitte, dass Sie über die richtige Mittel verfügen. CBS haftet für keine Schäden, die dadurch entstehen könnten, wenn Mann nicht die richtige Mittel benutzt oder wenn Mann sie nicht überprüft hat. Lesen Sie, bitte, sorgfältig diese Anweisungen um die korrekte Durchführung der Montage zu versichern.

WARTUNG UND INSPEKTION

- Sicherstellen, dass alle Schrauben festgezogen sind und, falls erforderlich, gelegentlich nachstellen. Mit einem feuchten Tuch säubern. KEINE Lösemittel.

AVERTISSEMENT ET MISE EN GARDE

- Le bureau, le plan de travail, le mur ou la cloison doit pouvoir supporter le poids du ou des bras en plus de l'écran.
- Ce produit ne doit pas servir à d'autres fins que celle prévue.
- Le poids de l'écran ne doit pas dépasser 15kg par bras.
- Tenir fermement l'écran pendant les réglages.
- Faire attention à ne pas se coincer les doigts.
- Ne pas démonter ou modifier les bras.
- Ne pas fixer l'écran avant d'avoir assemblé le bras.
- Pour certains écrans qui ont des renforcements, il faut parfois utiliser des cales d'espacement ou une plaque VESA de 75mm.
- Les vis fournies pour l'installation du bras sont fournies de bonne foi et avec l'intention qu'elles seront utilisées avec le moniteur adéquat, à savoir un écran avec des trous de montage de type VESA. Merci donc de vérifier que vous avez le matériel compatible avant de tenter l'installation. CBS ne pourra être tenu responsable de tous dommages causés à votre matériel résultant de l'incompatibilité des vis avec votre modèle d'écran. Merci également de lire attentivement les instructions d'installation pour assurer une fixation correcte de l'écran sur le bras.

ENTRETIEN ET INSPECTION

- S'assurer que toutes les vis sont bien serrées et les resserrer au besoin. Nettoyer à l'aide d'un chiffon humide. PAS DE solvants.

ADVERTENCIA

- Asegurarse de que el escritorio/la superficie de trabajo/la pared/el tabique sea adecuado para soportar el peso del brazo o brazos y de los monitores.
- No usar este producto para otro propósito que no sea aquel para el cual fue diseñado.
- El peso soportado no debe exceder 15kg por brazo.
- Sujetar el monitor firmemente cuando se realicen ajustes.
- Tomar precauciones para evitar pillarse los dedos.
- No desarmar o remodelar los brazos.
- No instalar el monitor antes de fijar el brazo.
- Algunos monitores tienen espacios y pueden requerir espaciadores o una placa VESA de 75 mm.
- CBS Products informa que la tornillería suministrada, para la adecuada y correcta instalación de nuestros soportes para monitores, viene incluida gratis y completa para cada uno de los sets que CBS Products comercializa. Esta intención de parte de CBS Products busca que los soportes sean instalados de una manera óptima y precisa para monitores que cuenten con la disposición VESA para tornillos de fijación. CBS Products solicita a clientes, instaladores y distribuidores que todos los monitores sean revisados con anticipación para asegurar que cuentan con la distribución VESA de fijación. CBS Products no se hace responsable de ningún daño provocado o relacionado por haber evitado esta revisión. Adicionalmente, CBS Products enfatiza en la importancia de conocer y revisar con detalle el manual de instalación para conseguir una óptima fijación.

MANTENIMIENTO E INSPECCION

- Asegurarse de que todos los tornillos estén apretados y ajustarlos de nuevo si fuera necesario.
- Limpiar con un paño húmedo, no utilizar solventes.

注意

- デスク / 作業台 / 壁 / 仕切りなどが、アームとモニターの重さに耐えられる事を確認して下さい。
- 本来の目的以外の目的で本製品を使わないで下さい。
- 各アームが支える重さは15kgを超えないようにして下さい。
- モニター角度調整中はモニターをしっかりと持って下さい。
- 指を挟まないように注意して下さい。
- 本製品を分解したり、組み立て直ししないで下さい。
- アームを組み立てる前にモニターを設置しないで下さい。
- 壁に取り付けるためのねじは付属していません。
- 本製品取付部に凹みのあるモニターには、スペーサー、又は75mmのVESAプレートが必要な場合があります。

メンテナンスと点検

- すべてのネジが締まっていることを確認し、必要に応じて調整して下さい。固く絞った布で水拭きして下さい。

注意

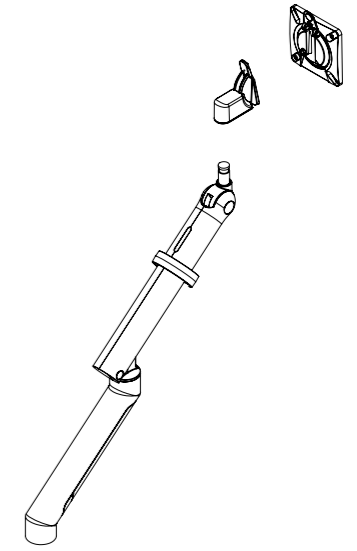
- 請確保所有桌面/工作表面/隔墙适合承受手臂和荧光屏的重量
- 请勿利用本产品在设计功能范围之外
- 每手臂承受重量不得大于15公斤(33磅)
- 当调整时,请紧固荧光屏
- 为了避免手指被夹,请谨慎
- 切勿拆散或更改手臂
- 手臂还没完成组合之前,切勿安装荧光屏
- 安装墙壁托架的螺栓没提供
- 因某些荧光屏有凹面,需要垫片或者75毫米VESA片

维修和检查

- 请确保所有螺栓必须紧固,如需要,请随时调整.请使用湿布清洁.切勿使用溶剂

PATENTS

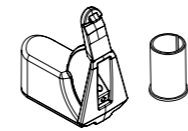
Colebrook Bosson Saunders hold a number of patents and other intellectual property rights covering our products and processes. You can find patent information on our website at: www.colebrookbossonsaunders.com/patents



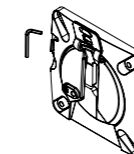
FLO PLUS SINGLE

DYN/SHM/002

COMPONENT LIST



Single Head Mount and Bush



VESA

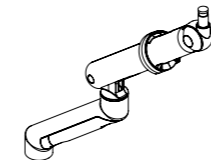


M4x12mm VESA Screws x 4
M4x10mm VESA Screws x 4
Optional security screw x 1

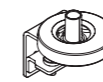


4mm Allen Key

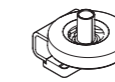
OTHER KITS REQUIRED



Flo Plus Arm
DYN/026/010



Flo Plus Split
Clamp
DYN/026/A35

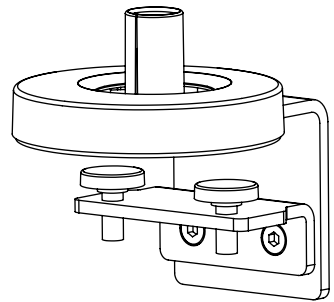


Flo Plus Top Mount
Clamp
DYN/026/A34

Preferred Clamping Method



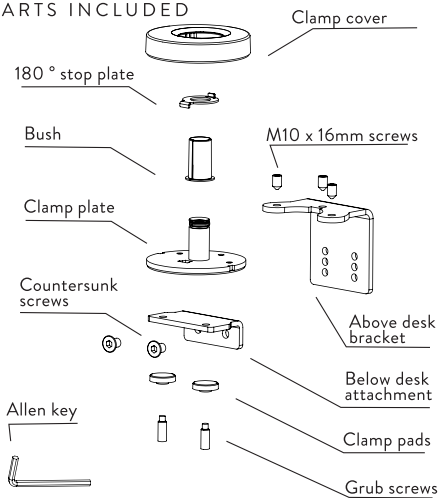
www.colebrookbossonsaunders.com



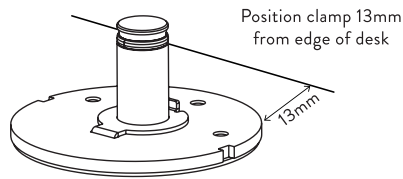
FLO PLUS SPLIT MOUNT CLAMP

DYN/026/A35

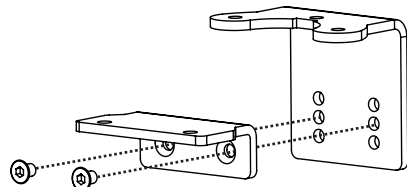
PARTS INCLUDED



1 POSITION CLAMP PLATE ONTO WORK SURFACE



2 CONFIGURE CLAMP BRACKET



If required change the clamp plate setting by removing Countersunk screws and adjusting to correct setting

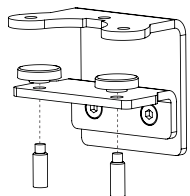
Regular maximum desk thicknesses

- Setting 1: 12mm (1/2")
- Setting 2: 24mm (1")
- Setting 3: 36mm (1 1/2")

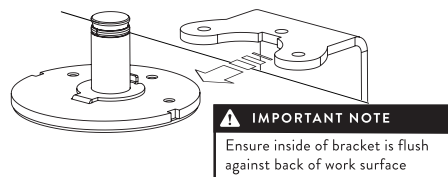
Inverted maximum desk thicknesses

- Setting 4: 44mm (1 3/4")
- Setting 5: 56mm (2 1/4")
- Setting 6: 68mm (2 5/8")

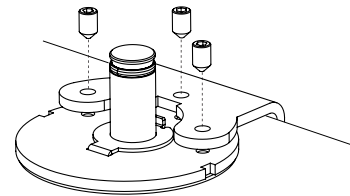
3 INSTALL GRUB SCREWS AND CLAMP PADS



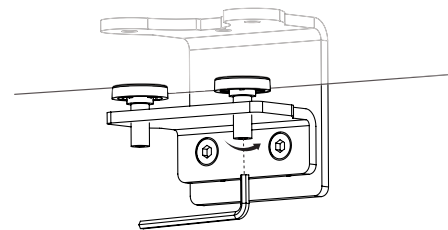
4 FIT CLAMP BRACKET



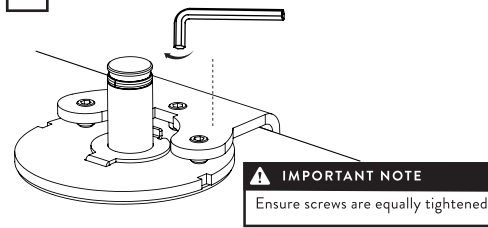
5 FIT M10 x 16 SCREWS



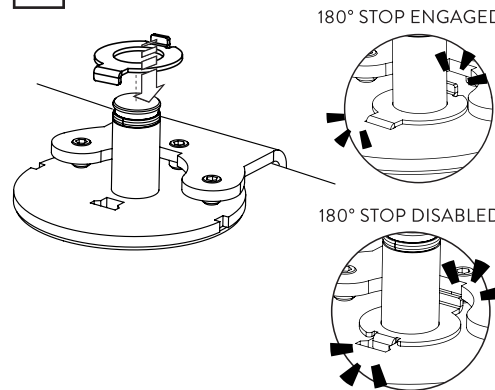
6 TIGHTEN GRUB SCREWS INTO POSITION



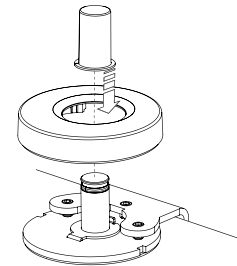
7 FULLY TIGHTEN UPPER SCREWS



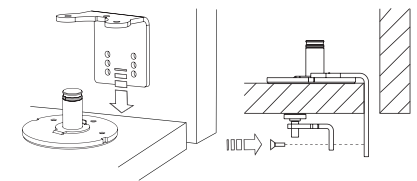
8 CONFIGURE 180° STOP COMPONENT



9 FIT CLAMP COVER AND BUSH



ALTERNATIVE INSTALLATION METHOD FOR RESTRICTED GAP AT REAR OF WORK SURFACE



WARNING

- Do not use this product for any purpose other than that for which it was designed
- Ensure desk/work surface is suitable to take the weight of the arm/s and monitors
- Supported weight must not exceed the maximum load per arm
- Take care when installing as fingers could become trapped

MAINTENANCE AND INSPECTION

- Ensure all screws and fixings are fully tightened and occasionally re-tighten if necessary.
- Clean with a damp cloth. DO NOT use solvents.

DISCLAIMERS

- The use of power tools, lever bars or excessive force during the installation, or re-configuration of the product will invalidate your guarantee
- Failure to observe the recommendations in the use, and configuration of these products may affect your guarantee
- As part of Colebrook Bosson Saunders ongoing product improvement programme, the design of products may change without prior notice and details may vary from those illustrated.

PATENTS

Colebrook Bosson Saunders hold a number of patents and other intellectual property rights covering our products and processes. You can find patent information on our website at: www.colebrookbossonsaunders.com/patents

Please consider leaving these instructions with the product if further installation may be required by others

DYN-026-A35-INST-B-MAY-2019